



LUXE

COLLECTION

SPECIFICATION BOOK





| QUALITY YOU CAN TRUST

We place high standards on all our products in terms of their design and construction. Our products carry the prestigious KCMA quality seal. When you see the KCMA A161.1 Quality Certification Seal, you can feel confident offering your customers high-quality, durable cabinetry knowing they will last.

Our cabinetry also carries the Carb2 Compliant Seal, indicating we strive to provide your customer with the cleanest possible products for their home.



| EASY ORDERING

We provide convenient 24-hour secure online ordering via our Dealer Portal. Order your cabinetry either flat-packed (RTA) or pre-assembled according to your needs.



| HIGH LEVELS OF DELIVERY

We are your warehouse. Buy Wholesale Cabinets is committed to delivering satisfaction at every turn. Our delivery times are among the best in the industry.



| YOUR PARTNER IN SUCCESS

Your success is our success. Buy Wholesale Cabinets offers a wide variety of sales support that helps you focus on selling and closing deals.

Our website contains easy 24hr, product ordering, literature, sample sets, and assembly videos. In addition, we offer design services, quoting assistance, showroom displays, and much more.



| LIMITED 12 MONTH WARRANTY

Sleep easy knowing Buy Wholesale Cabinets has a 12-month warranty on all our products. Our warranty protects the original residential user against any defects in material and craftsmanship under regular use for 12 months.

We understand that you have choices regarding your business partners; we hope our product quality and customer service will improve. value and efficient delivery secure your decision to choose only Buy Wholesale Cabinets for all your cabinetry needs.

WARRANTY.....1
CLEANING AND CARE.....2
NKBA KITCHEN GUIDELINES.....3-5
NKBA MEASURING GUIDE.....6-8
CABINET SPECIFICATIONS AT-A-GLANCE.....9-11

LUXE COLLECTION

STANDARD WALL AND BASE CONSTRUCTION.....12-13
DOOR STYLE AND COLOR.....14
BASE CABINETS.....15-19
WALL CABINETS.....20-28
TALL CABINETS.....29
ACCESSORIES AND MOLDINGS.....32-35
VANITIES.....36
TOUCHUP KITS.....36

Buy Wholesale Cabinets/BWC RTA Cabinets warrants to the original purchaser that cabinets, door hinges, and drawer glides will be free from defects in material and craft under normal usage and service for twelve months (Proof of Purchase is required). This warranty is not transferable and is only applicable to product users for residential purposes. Representatives of BWC / Buy Wholesale Cabinets do not have the authority to change or extend this warranty.

This warranty does not cover normal wear and tear, damage or defects caused by accidents, misuse, abuse, lack of necessary maintenance, or acts of God. Furthermore, it does not cover alteration, modification, improper installation, improper handling/storage, environmental conditions, or any labor expenses.

Buy Wholesale Cabinets/BWC RTA Cabinets, at our option, may elect to repair or replace with any functionally equivalent BWC product covered by this warranty. Some replacement parts are subject to availability and may differ from the original pieces. Return of the defective product may be required for a replacement to be issued. Repair or replacement parts are at the expense of BWC, but customers shall bear all other expenses. These expenses may include but are not limited to the cost of removal and reinstallation of the product, labor expenses, etc.

The variation in color and grain pattern in wood adds to its natural beauty and is not considered an imperfection. Environmental factors, including but not limited to artificial/natural light, moisture, cleaners, smoke, etc., may cause the darkening or mellowing of a cabinet over time. This natural process should be expected. This warranty does not cover the natural aging or darkening/mellowing of wood color, the inherent growth characteristics of or variation in wood.

Some cabinet lines feature a glazed finish, accentuating the door and drawer front profiles. This glaze is hand applied over a stain or paint and may consist of random drips, runs, etc., due to the nature of the application. As glazing is a hand-applied process, there will be variations in color and appearance from door to door and cabinet to cabinet. This is not considered a defect and is considered normal with hand-applied finishes. It is the nature of wood to expand and contract to varying degrees depending on climate conditions. As a result, cabinet lines with painted surfaces may show fractures in the paint at joints. This is normal and is not considered a defect.

This warranty is valid only in the United States of America and is not transferable. All implied warranties are limited to the shortest period provided by law or this warranty's period. This warranty excludes special, incidental, or consequential damages to the extent permitted by law. Some states do not allow the exclusion or limitations of incidental or consequential damages or limitations on how long an implied warranty lasts, so the above limitations or exclusions may not apply to you. This warranty gives you specific legal rights; you may have other rights which vary from state to state. To exercise this warranty, please contact the Buy Wholesale Cabinets supplier from whom you purchased the product. Report, in writing, to sales@buywholesalecabinets.com all defects claimed and include proof of purchase documentation.

FAILURE TO FOLLOW THESE GUIDLINES MAY VOID THE WARRANTY OF BUY WHOLESALE CABINETS PRODUCT.

GENERAL CARE

A soft cotton cloth dampened with warm water is usually sufficient to clean your cabinets. If more thorough cleaning is required, use one of the following cleaning solutions:

- A fresh solution of mild dish washing liquid mixed with warm water.
- A mild all-purpose cleaner that does not contain ammonia or silicone.

Use the mildest cleaning solution that will successfully clean your cabinets. Stronger products may damage or discolor your cabinet finish, may void your warranty, and are not recommended. After cleaning, wipe all surfaces with a clean, damp cotton cloth.

Dry immediately using another clean/ dry cotton cloth.

CLEANING PRODUCTS TO AVOID

Avoid using the following cleaning products on your cabinets:

- Harsh chemicals.
- Abrasive cleaning products such as: tub/sink cleansers, scouring powder, scouring pads, or steel wool.
- Sponges or dish cloths. (They may contain particles that could scratch your cabinets, or they may contain staining food or oil residue.)
- Ammonia or ammonia-based cleaning products.
- Bleach or bleach-based cleaning products.
- Silicone-based cleaning, waxing, or polishing products.

SPLATTERS & SPILLS

Clean spills and splatters immediately. Prolonged exposure to spills, including food, water, or other liquids, or to oil and grease splatters, can cause permanent discoloration or damage to your cabinet's finish.

REGULAR DUSTING

Use a clean/ dry soft cotton cloth for regular dusting. Packaged dusting sheets are not recommended. Do not use pre-moistened dusting sheets, or aerosol products made for dusting.

WAXING & POLISHING

Waxing is not recommended. Over time, waxing and polishing compounds may build up on the surface of your cabinet causing hazy, streaky, or a yellowed appearance to your cabinet's finish.

CLEANING GLASS DOORS

Extra care is required when cleaning glass doors. Spray an ammonia-free glass cleaner on a clean cotton cloth or paper towel. Do not spray cleaner directly on the glass. The spray could run or seep behind the frame or mullions and cause damage.

SCRATCHES, GOUGES, & NICKS

A Touch-Up Kit is available to hide surface damage. Use the kit's touch-up pen to hide minor blemishes. Use the kit's tinted putty to fill deeper scratches, or nicks. Detailed instructions are provided in each kit.

AVOID MOISTURE DAMAGE

Avoid draping damp clothes or dish clothes over cabinet doors. This moisture can cause permanent damage, including but not limited to peeling and discoloration of the cabinet's finish.

AVOID LIGHT DAMAGE

Exposure to direct sunlight tends to darken the color of natural wood products. Sunlight can also fade painted wood surfaces. Consider the use of draperies or blinds to protect your cabinets from direct sunlight.

AVOID HEAT DAMAGE

The heat generated when using an oven's self-cleaning feature is much greater than the heat of normal cooking. If this heat escapes from the oven, it can damage your cabinets. While this is a rare circumstance, you can minimize the risk of cabinet damage by removing cabinet doors and drawers nearest the oven before using its self-cleaning feature.

DOOR/ENTRY

Door opening should be at least 32" wide.

DOOR INTERFERENCE

Entry door should not interfere with safe appliance operation or appliance doors.

DISTANCE BETWEEN WORK CENTERS

With three work centers, the total distance traveled should not be more than 26' with no single leg of the triangle less than 4' or more than 9'.

With more than three work centers, each additional travel distance to another work center should be no less than 4' or more than 9'. Each leg is measured from the center-front of the appliance/sink. No work triangle leg should intersect an island/peninsula by more than 12".

SEPARATING WORK CENTERS

A tall obstacle should not separate two primary work centers. A properly recessed tall corner unit is acceptable.

Work Triangle Traffic Major traffic patterns should not cross through the basic work triangle.

WORK AISLE

The work aisle should be at least 42" for one cook and at least 48" for multiple cooks.

WALKWAY

The walkway width should be at least 36".

TRAFFIC CLEARANCE AT SEATING

Allow 32" of clearance from the table to wall/obstacle if no traffic passes behind a seated diner. If traffic passes behind the diner, allow at least 36" to edge past or 44" to walk past.

SEATING CLEARANCE

30" high tables/counters should allow a 24" wide by 18" deep space for each seated diner. 36" high counters should allow a 24" wide by 15" deep space for each seated diner and at least 15" kneespace. 42" high counters should allow a 24" wide by 12" deep space for each seated diner and at least 12" kneespace.

CLEAN-UP/PREP SINK PLACEMENT

With only one sink, locate it adjacent to or across from the cooking surface and refrigerator.

CLEAN-UP/PREP SINK LANDING AREA

Include at least a 24" landing space on one side of the sink and 18" on the other.

If all the countertop at the sink is not the same height, plan a 24" landing space on one side of the sink and 3" of countertop frontage on the other, both at the same height of the sink.

PREPARATION/WORK AREA

Include a section of countertop at least 36" wide x 24" deep next to the sink for a work area.

DISHWASHER PLACEMENT

Nearest edge of dishwasher should be within 36" of nearest edge of sink. Provide at least 21" of standing space between the edge of the dishwasher and countertop frontage/appliances/cabinets which are placed at a right angle to the dishwasher.

WASTE RECEPTACLES

Include at least 2 waste receptacles, one near the sink and the other nearby for recycling.

AUXILIARY SINK

Provide at least 3" of countertop frontage on one side of the auxiliary sink and 18" on the other side, both at the same height of the sink.

REFRIGERATOR LANDING AREA

Include at least 15" of landing area on the handle side of the refrigerator, 15" on either side of a side-by-side refrigerator, 15" of landing space which is no more than 48" across from the front of the refrigerator, and 15" above or adjacent to any under counter-style refrigerator.

COOKING SURFACE LANDING AREA

Include a minimum of 12" of landing area on one side of the cooking surface and 15" on the other. If cooking surface is at a different countertop height than the rest of the kitchen, then the 12" and 15" landing areas must be the same height as the cooking surface.

For safety reasons, in an island or peninsula situation, the countertop should extend a minimum of 9" behind the cooking surface if the counter height is the same height as the cooking surface.

COOKING SURFACE CLEARANCE

Allow 24" between the cooking surface and a protected noncombustible surface above it. At least 30" of clearance is required between the cooking surface and an unprotected/combustible surface above it.

If a microwave hood is used, then the manufacturer's specifications should be followed.

COOKING SURFACE VENTILATION

A correctly sized, ducted ventilation system is recommended for all cooking surface appliances. The recommended minimum is 150 CFM. Code requires that the manufacturer's specifications be followed.

Minimum exhaust rate for a ducted hood is 100 CFM and must be ducted to the outside.

Make-up airway may need to be provided. Refer to local code.

COOKING SURFACE SAFETY

Do not locate cooking surface under an operable window.

Window treatments above cooking surface should not use flammable materials. Place a fire extinguisher near the kitchen exit away from cooking equipment.

MICROWAVE OVEN PLACEMENT

The ideal location for the bottom of the microwave is 3" below the principle user's shoulder, but no more than 54" above the floor.

MICROWAVE LANDING AREA

Provide at least 15" above, below, or adjacent to the handle side of a microwave oven.

OVEN LANDING AREA

Include at least 15" next to or above the oven. A 15" landing area that is not more than 48" away is also acceptable as long as the oven does not open into a walkway.

COMBINING LANDING AREAS

If two landing areas are adjacent to one another, determine a new minimum for the two by taking the longer of the two and adding 12".

COUNTERTOP SPACE

A total of 158" of countertop frontage, 24" deep, with at least 15" clearance above is needed to accommodate all landing, preparation, work, and storage areas.

COUNTERTOP EDGES

Clipped or round corners rather than sharp edges are recommended on all counters. Storage The recommended total shelf/drawer frontage for a small kitchen (less than 150 square feet) is 1400", a medium kitchen (151 to 350 square feet) is 1700", and for a large kitchen (greater than 350 square feet) is 2000".

STORAGE

The recommended total shelf/drawer frontage for a small kitchen (less than 150 square feet) is 1400", a medium kitchen (151-350 square feet) is 1700" and for a large kitchen (greater than 350 square feet) is 2000".

Sizes:	S	M	L
Wall:	300"	360"	360"
Base:	520"	615"	660"
Drawer:	360"	400"	525"
Pantry:	180"	230"	310"
Misc.:	40"	95"	145"

The totals for wall, base, drawer, and pantry shelf/drawer frontage can be adjusted upward or downward as long as the recommended total stays the same.

STORAGE AT CLEAN-UP/PREP SINK

The recommended total for a small kitchen is 400", a medium kitchen is 480", a large kitchen is 560", and should be located within 72" of the centerline of the main clean-up /prep sink.

CORNER CABINET STORAGE

At least one corner cabinet should include a functional storage device.

ELECTRICAL RECEPTACLES

GFCI (Ground-Fault-Circuit-Interruptor) protection is required on all receptacles servicing countertop surfaces within the kitchen.

LIGHTING

Every work surface should be well illuminated. At least one wall switch-controlled light must be placed at the entrance.

Window/skylight area, equal to at least 8% of the total square footage of the kitchen, or a total living space which includes a kitchen, is required.

DOOR/ENTRY

Doorway opening should be at least 32", requiring a minimum 2' 10" wide door.

DOOR INTERFERENCE

Entry or fixture doors should not interfere with each other and/or the safe use of fixtures/cabinets.

CEILING HEIGHT

Bathroom floor to ceiling minimum height is 80". A shower or tub with a shower head shall have a minimum floor to ceiling height of 80" above a minimum area 30" x 30" at the shower head.

CLEAR SPACE

Plan a clear space of 30" from the front edge of all fixtures to any opposite bath fixture, wall, or obstacle. A minimum space of at least 21" is required in front of lavatory, toilet, bidet, and tub, with a 24" minimum space in front of a shower entry.

SINGLE LAVATORY PLACEMENT

The distance from the centerline of the lavatory to the sidewall/tall obstacle should be at least 20".

The minimum distance required is 15". The minimum distance required between a wall and the edge of a lavatory is 4".

DOUBLE LAVATORY PLACEMENT

The distance between the centerlines of two lavatories should be at least 36".

The minimum distance required is 30". The minimum distance required between the edges of two lavatories is 4".

LAVATORY/ VANITY HEIGHT

The height for a lavatory varies between 32"- 43" to fit the user.

SHOWER SIZE

The interior shower size should be at least 36" x 36". The minimum interior shower size required is 30" x 30".

* Any updated information can be found on the NKBA website.

To view a complete and update list of the NKBA Guidelines, visit: http://www.nkba.org/xindustry/planning_guidelines_list.asp

DRAWING YOUR EXISTING ROOM

Draw your room on the grid below. Keep in mind that each large square equals one foot and each small square equals three inches. Be sure to note the locations of doors, windows, electrical outlets, plumbing fixtures, ventilation, and major appliances. Once your design is completed, it is strongly recommended that you or your installer validate the dimensions on the design rendering.

The grid is a 14-foot by 14-foot square. The top edge is labeled from 0' to 14' in increments of 1 foot. The right edge is also labeled from 0' to 14' in increments of 1 foot. Each large square represents 1 foot by 1 foot, and each small square represents 3 inches by 3 inches.

MEASURING EXISTING ROOM(S)

Accurate measuring is a critical step in the remodeling process. Measurement errors are a source of significant delays and costly overruns. Please read these instructions carefully. Obtaining a professional measurement of the design space is highly recommended— talk to your designer for more details.

The Buy Wholesale Cabinets Specialist needs accurate room measurements to begin your design. Follow the directions below, then, double — even triple — check your measurements.

Note: The examples given are for a kitchen, but the same steps are needed for any design.

HOW TO MEASURE YOUR ROOM

Draw a rough sketch of your room on a separate sheet of paper as illustrated here. Once all the measurements are accurate, transfer the information to a copy of the grid paper in this specification booklet.

Record measurements as follows:

A good design fully utilizes the space available and measurement errors can create a situation where cabinets need to be replaced or fillers used to compensate.

Measure in inches only, not feet and inches.

Example: 138-1/4", not 11'6-1/4".

Measure to the nearest 1/8" and always round down.

Example: 138-1/8", not 138-3/16".

Measure openings (doors and windows) from outside trim edge to outside trim edge.

Indicate which way the doors swing on your final drawing like this:



MEASURE EACH WALL

Measure the full length of the wall, beginning in the left corner. Check length at two elevations, the ceiling and at the floor. Use the smallest dimension.

Measure the wall in segments. Start in the left corner and measure to the outside edge of the first opening, such as a door or window.

Measure across the opening from outside trim edge to outside trim edge.

Measure from outside trim edge to the next opening, or to the far wall.

Check your overall dimensions: The measurements in steps 2, 3, and 4 should add up to equal the measurement you took in step 1. Example: $62\frac{1}{2} + 36 + 39\frac{3}{4} = 138\frac{1}{4}$ "

LOCATE FIXTURES AND UTILITIES

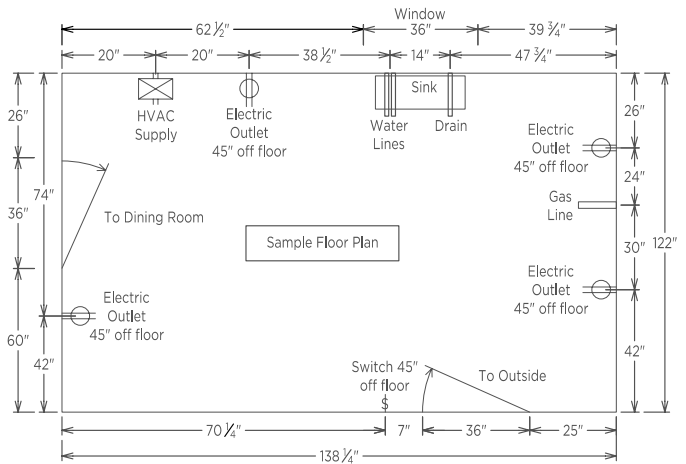
Mark the center line location of sink, water lines, drains, gas lines, heating/air conditioning vents, electrical outlets, and switches.

TRANSFER MEASUREMENTS TO GRID

Transfer all of your measurements to the grid paper in this guide.

Important: Be sure to consider work place access measurements including dimensions for doors, door swings, door swing orientation and hallway openings.

Some cabinets may not fit through an existing openings assembled. Double-check all your measurements — it can save you both time and money.

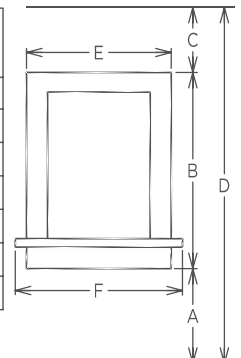


MEASURING WINDOWS

If your room does not have windows, simply write "Does Not Apply." Fill in the chart below for every window in your room.

Please do not leave any measurements blank.

	Measure from floor to window trim		Measure window height including trim		Measure from top of window trim to ceiling		Measure from floor to ceiling	Measure width of window	Sill Length
Windows	A	+	B	+	C	-	D	E	F
1									
2									
3									
4									
5									
6									



PROVIDING CONSTRUCTION DETAILS

CEILING

(factor in any floor covering changes)
Ceiling heights, even in the same room, can vary.

Measure ceiling height in three places throughout the room:

_____ / _____ / _____ .

FLOOR

Type of construction: _____

Is there a basement under the room that provides access?

_____ Yes _____ No

SOFFITS / BULKHEADS

Warning: Soffits typically contain electrical and plumbing elements that can't be relocated. Consult a professional on your remodel!

Does the room have soffits / bulkheads?

_____ Yes _____ No

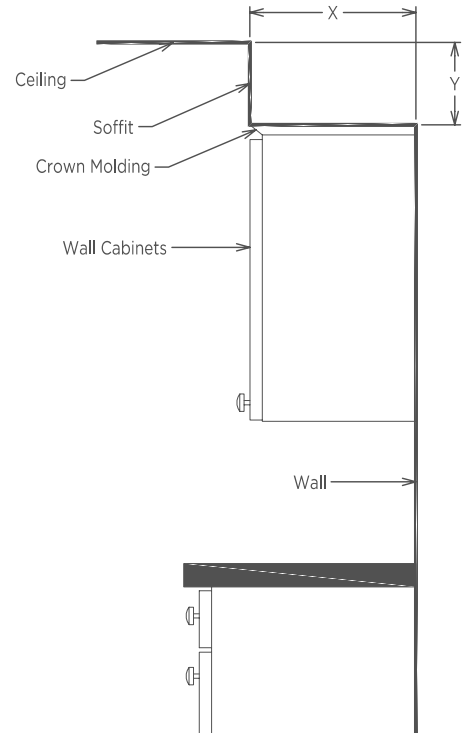
(If yes, please mark dimensions on the diagram to the right.)

Do you plan to keep existing soffits / bulkheads?

_____ Yes _____ No

Will the soffits / bulkheads have recessed lighting?

_____ Yes _____ No



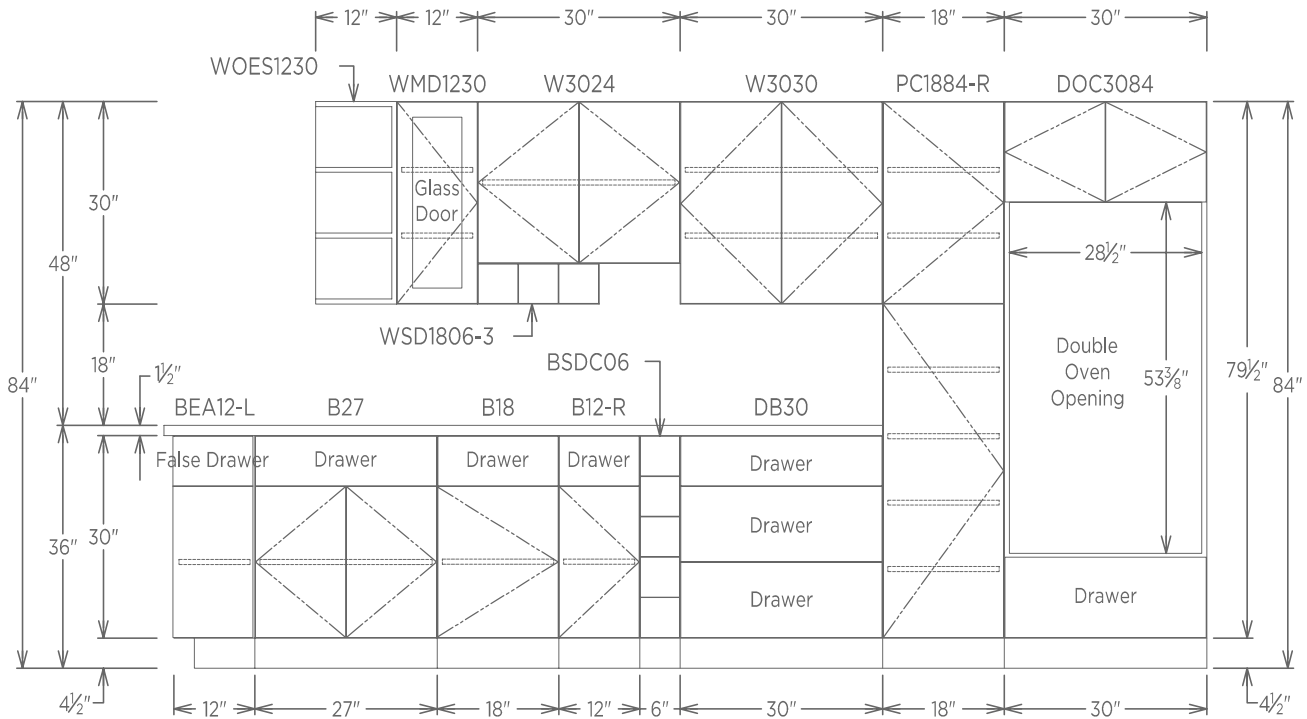
(A soffit, also called a bulkhead, is the area between the top of a wall cabinet and the ceiling.)

MEASURING APPLIANCES AND FIXTURES:

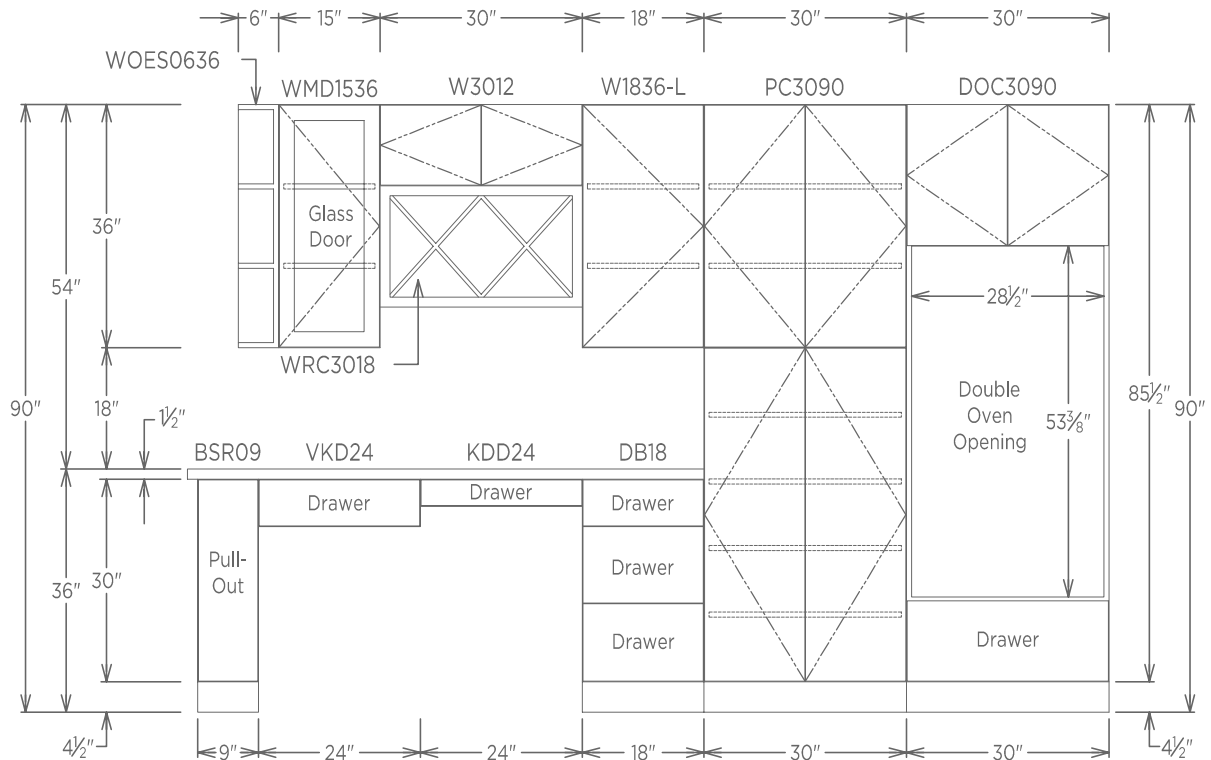
Appliance dimensions are critical to the overall fit of all kitchen components. Whether you are buying new appliances or using existing ones, provide the dimensions for each appliance in your kitchen. Door hinges and handles can obstruct surrounding cabinets and must be factored into the design. Whenever possible, provide cut sheets for appliances. Cut sheets are installation guides that list the dimensions of the appliance. **Please do not leave any step blank.**

	Does Not Apply	Existing	New	Brand	Model	Dimensions W x D x H	Cut Sheets Enclosed?
Refrigerator*	<input type="checkbox"/>	<input type="checkbox"/>	<input type="checkbox"/>				
Freezer (stand alone)	<input type="checkbox"/>	<input type="checkbox"/>	<input type="checkbox"/>				
Range	<input type="checkbox"/>	<input type="checkbox"/>	<input type="checkbox"/>				
Cook Top	<input type="checkbox"/>	<input type="checkbox"/>	<input type="checkbox"/>				
Exhaust Hood	<input type="checkbox"/>	<input type="checkbox"/>	<input type="checkbox"/>				
Wall Oven	<input type="checkbox"/>	<input type="checkbox"/>	<input type="checkbox"/>				
Microwave, Wall Mount	<input type="checkbox"/>	<input type="checkbox"/>	<input type="checkbox"/>				
Microwave, Countertop	<input type="checkbox"/>	<input type="checkbox"/>	<input type="checkbox"/>				
Sink	<input type="checkbox"/>	<input type="checkbox"/>	<input type="checkbox"/>				
Disposal	<input type="checkbox"/>	<input type="checkbox"/>	<input type="checkbox"/>				
Dishwasher	<input type="checkbox"/>	<input type="checkbox"/>	<input type="checkbox"/>				
Compactor	<input type="checkbox"/>	<input type="checkbox"/>	<input type="checkbox"/>				
Other (explain)	<input type="checkbox"/>	<input type="checkbox"/>	<input type="checkbox"/>				
Would you like include matching Decorator Panels for these appliances?				<input type="checkbox"/> Yes	<input type="checkbox"/> No		

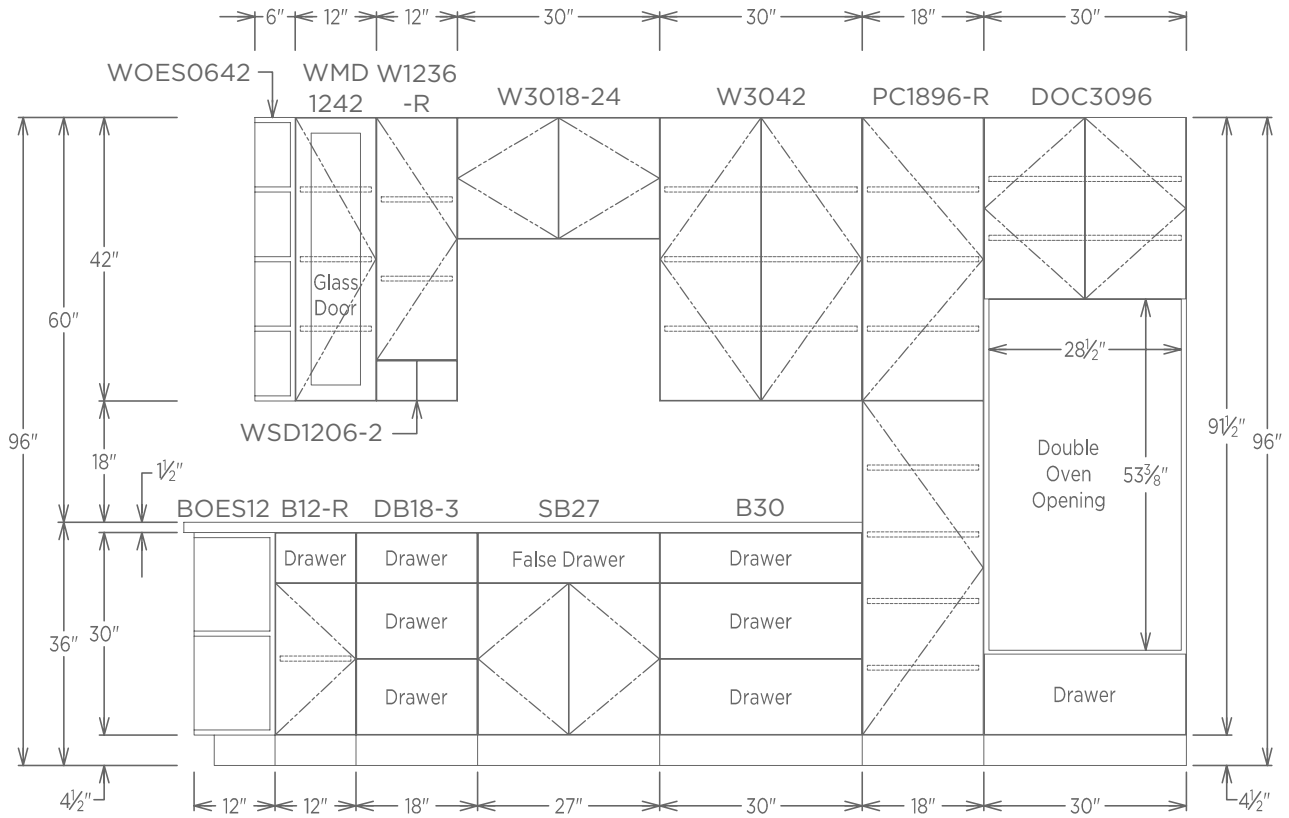
84" HIGH APPLICATION

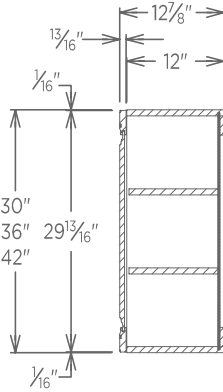


90" HIGH APPLICATION

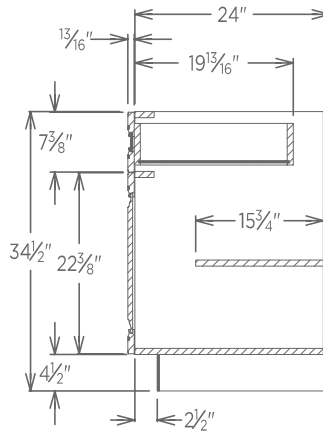


96" HIGH APPLICATION

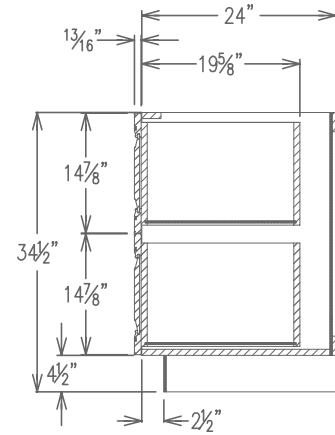




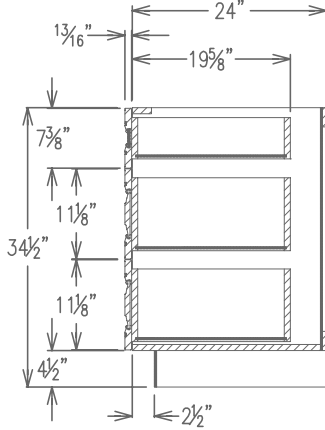
WALL CABINET:
42" Tall Wall Cabinets Have (3)
Adjustable Shelves.



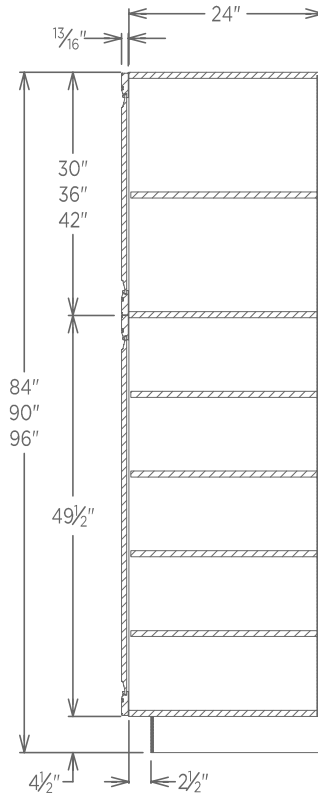
BASE CABINET



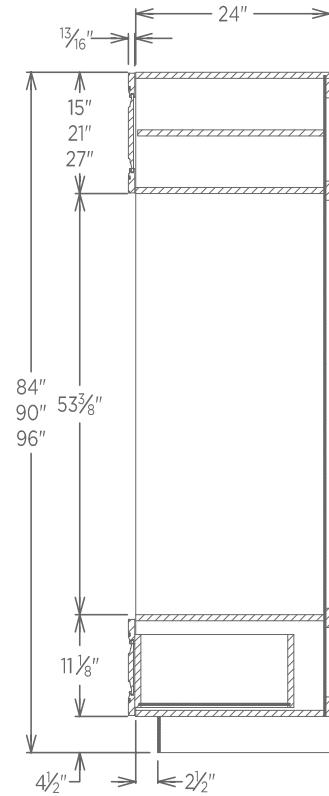
2-DRAWER BASE CABINET



3-DRAWER BASE CABINET



(TALL) PANTRY CABINET:
96" Tall Cabinets Have
(2) Adjustable Upper Shelves.



(TALL) DOUBLE OVEN CABINET:
96" Tall Cabinets Have
(2) Adjustable Upper Shelves.

WALL CABINET ISOMETRIC VIEW

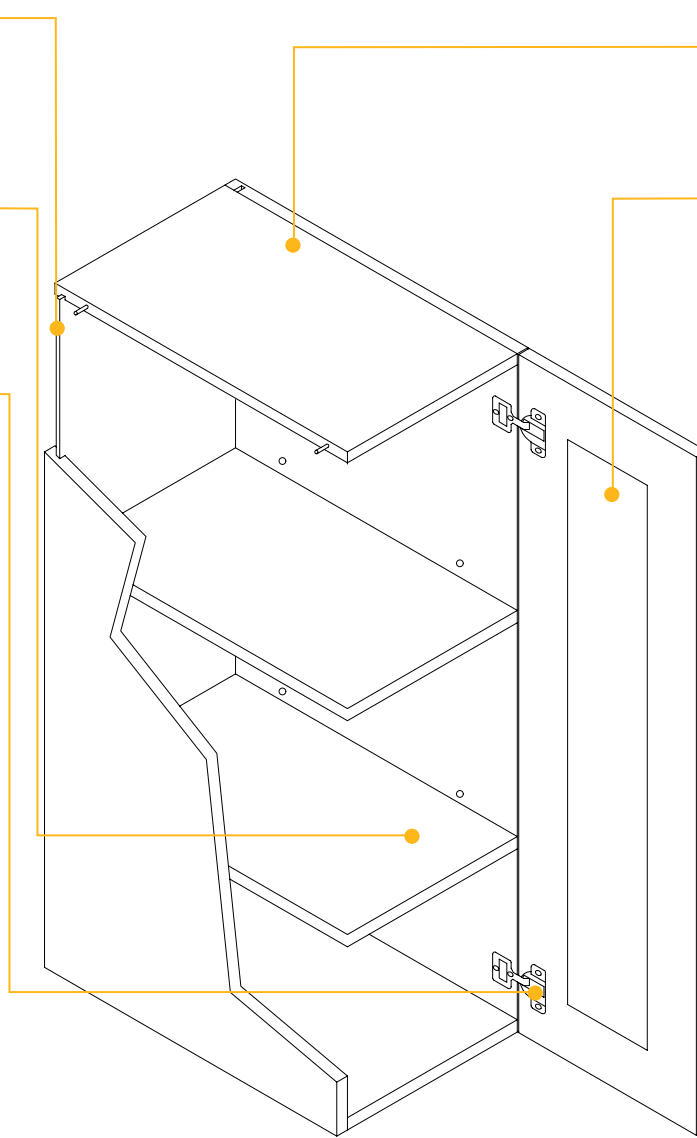
Back panel, 1/4" finished plywood with 1/2" x 2 3/8" bordering frame. Set into side, top, and bottom panels with dado cut channel(s)

Adjustable full-depth shelves made of 3/4" plywood edge banding on all 4 sides. Supported by 1/4" steel, nickel plated metal shelf rests.

6-Way adjustable soft-close full overlay hinge with all steel construction and nickel plated finish.

Self-closing feature allows door to close unassisted when approximately 10-15 degrees open. Hinge allows less than 3/16" frame to door gap.

Hinge allows an in/ out adjustment of 1/16", up/ down adjustment of 1/4", and side/ side adjustment of 3/16" Hinge permits door to open approximately 107 degrees.



Top, side, and bottom panels all made of 3/4" plywood. Edge-banding towards face of cabinet box.

Full overlay door, sized to nearly cover cabinet box face (full overlay door requires the use of knobs and pulls).

Doors are all wood and of a 5-piece construction. Doors consist of top/ bottom rails, side stiles, and center panel.

Dependent on door style; rails, and stiles may be mitered or milled at connection. Center panels are either a raised solid panel or a flat/ recessed plywood panel or MDF panel.

Our wood is a finely grained wood species with a fine even texture.

Darker stains will moderate the color variance, lighter stains mellow with golden hues over time. Features described below are typical and not considered defects:

- Creamy white to light blonde tones to dark reddish brown tones.
- Small mineral streaks of light blonde or reddish brown that darken with stain.
- Wavy, curly bird's-eye, or burl graining as well as worm tracking across the grain that will darken when stained.
- Variations within a single door.

BASE CABINET ISOMETRIC VIEW

Back panel, 1/4" finished plywood with 12" x 2 3/8" bordering frame. Set into side panels with dado cut channel(s). Secured with brad nails and supplied metal I-brackets to side panel

Side and bottom panels all made of 3/4" plywood. Edge banding towards face of cabinet box.

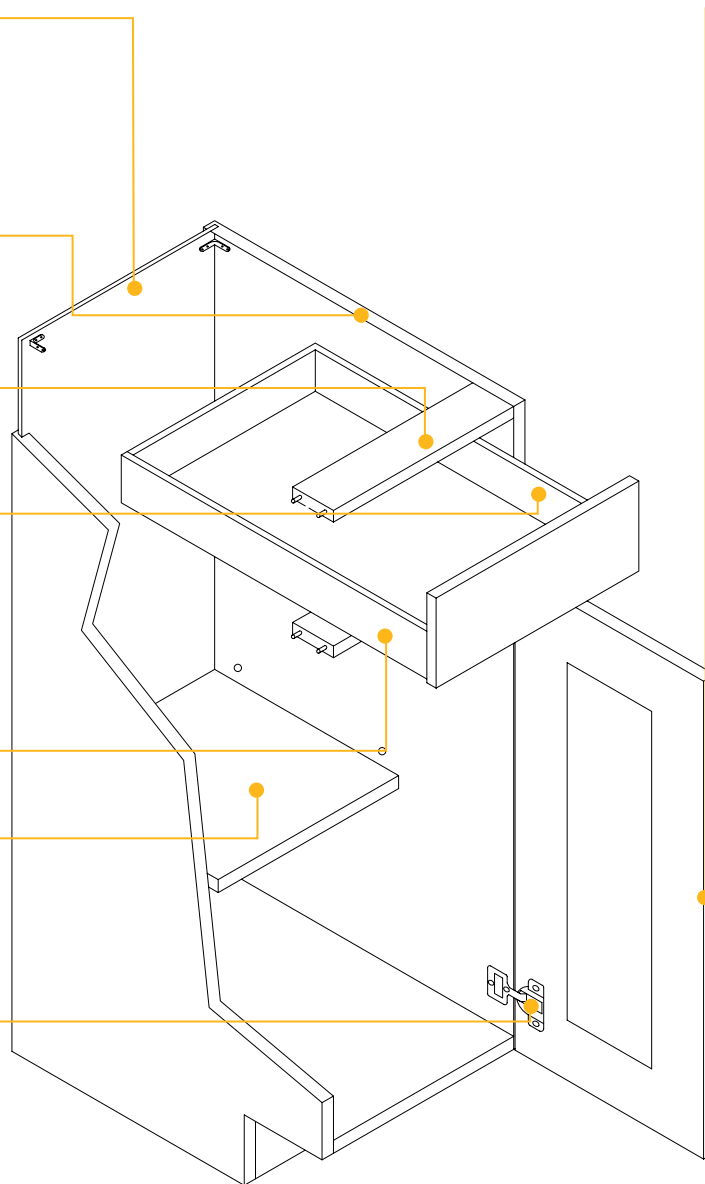
(2) Bridge boards for added cabinet strength, made of 3/4" plywood. Edge banding towards face of cabinet box.

Drawer box made of 5/8" solid wood with a clear coat finish and joined at corners using a dovetailed joint. Bottom of drawer box is made of 1/4" clear coated plywood and set into drawer box sides with dado cut channels.

Under mount full extension soft close drawer glides

Adjustable shelf (15 3/4" deep) made of 3/4" plywood edge banding on all 4 sides. Supported by 1/4" steel, nickel plated metal shelf rests.

6-Way adjustable soft close full overlay hinge. All steel construction with nickel plated finish. Self closing feature allows door to close unassisted when approximately 10-15 degrees open. Hinge allows less than 3/16" frame to door gap. Hinge allows an in/ out adjustment of 1/16", up/ down adjustment of 1/4", and side/ side adjustment of 3/16". Hinge permits door to open approximately 107 degrees.



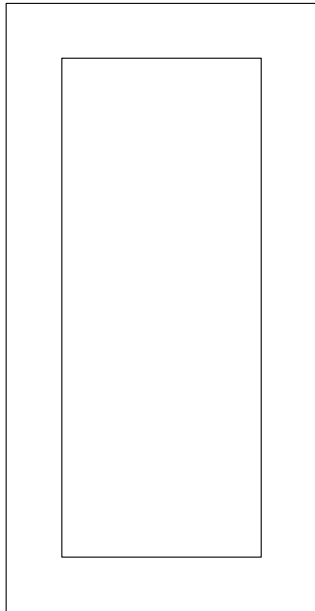
Full overlay door, sized to nearly cover cabinet box face. (Full overlay door requires the use of knobs and pulls.) Doors are all wood and of true 5-piece construction. Doors consist of top/ bottom rails, side stiles, and center panel. Dependent on door style; rails, and stiles may be mitered or milled at connection. Center panels are either a raised solid panel or a flat/ recessed plywood panel.

Our woods are exceptionally hard, finely grained wood species with a fine even texture. Darker stains will moderate the color variance, lighter stains mellow with golden hues over time.

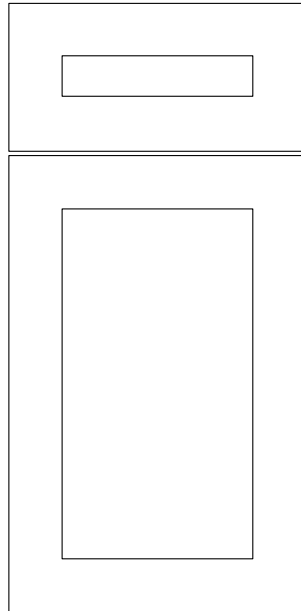
Features described below are typical and not considered defects:

- Creamy white to light blonde tones to dark reddish brown tones.
- Small mineral streaks of light blonde or reddish brown that darken with stain.
- Wavy, curly bird's-eye, or burl graining as well as worm tracking across the grain that will darken when stained.
- Variations within a single door.

CRAFTSMAN COLLECTION



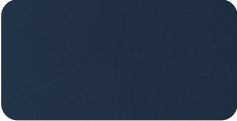

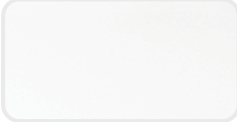

WALL CABINET DOOR



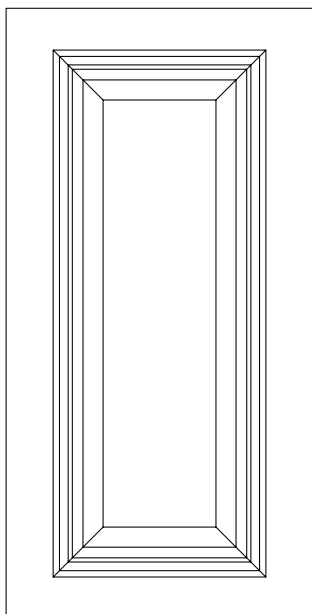
BASE CABINET DOOR

AVAILABLE COLORS:

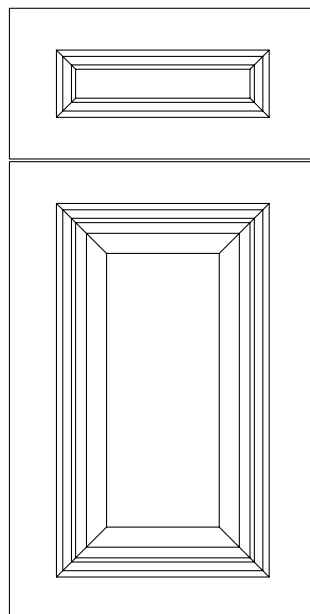
Imperial Blue, Storm Gray, Shaker White and Pearl White

COLOR	CODE	NAME
	CB	Imperial Blue
	CG	Storm Gray
	CS	Shaker White
	CP	Pearl White

CLASSIC COLLECTION



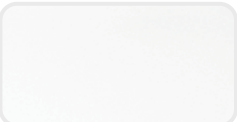

WALL CABINET DOOR



BASE CABINET DOOR

AVAILABLE COLORS:

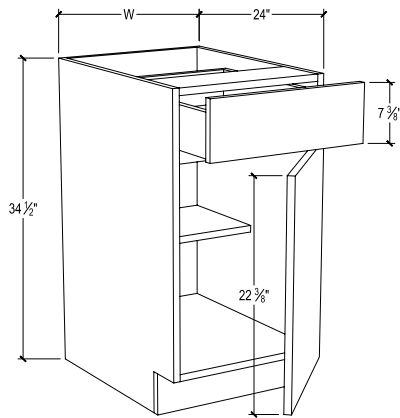
Classic White and Maduro

COLOR	CODE	NAME
	CW	Classic White
	CR	Maduro (Wood grain)

Base cabinets may be modified to 21-1/2" in depth for use as vanities. An additional charge of \$31.00 will apply for each cabinet modified.

To request this service, add item code: CUT CHARGE TO 21-1/2" after each line item.

1 DRAWER 1 DOOR BASE CABINET



SKU CODE

W X H X D

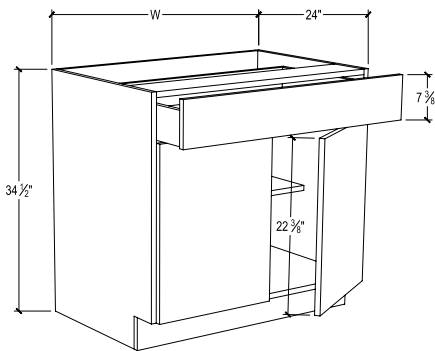
AVAILABLE IN

B09	9x34-1/2 x24
B12	12x34-1/2 x24
B15	15x34-1/2 x24
B18	18x34-1/2 x24
B21	21x34-1/2 x24

- Pearl White
- Storm Gray
- Maduro
- Classic White
- Shaker White
- Imperial Blue

- 10-1/2" Adjustable shelf, finished on all sides

1 DRAWER 2 DOOR BASE CABINET



SKU CODE

W X H X D

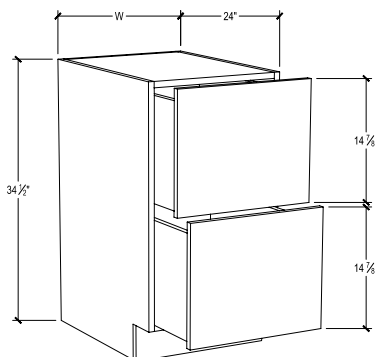
AVAILABLE IN

B24	24x34-1/2 x24
B27	27x34-1/2 x24
B30	30x34-1/2 x24
B33	33x34-1/2 x24
B36	36x34-1/2 x24
B39	39x34-1/2 x24
B42	42x34-1/2 x24

- Pearl White
- Storm Gray
- Maduro
- Classic White
- Shaker White
- Imperial Blue

- 10-1/2" Adjustable shelf, finished on all sides

2 DRAWER BASE CABINET



SKU CODE

W X H X D

AVAILABLE IN

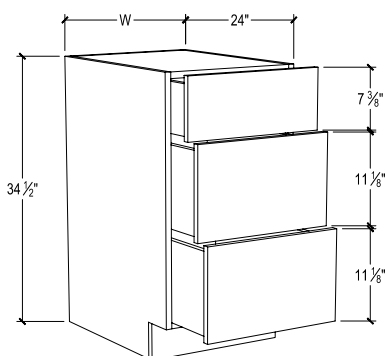
DB24-2	24x34-1/2 x24
DB30-2	30x34-1/2 x24
DB36-2	36x34-1/2 x24

- Shaker White
- Imperial Blue

Base cabinets may be modified to 21-1/2" in depth for use as vanities. An additional charge of \$31.00 will apply for each cabinet modified.

To request this service, add item code: CUT CHARGE TO 21-1/2" after each line item.

3 DRAWER BASE CABINET



SKU CODE

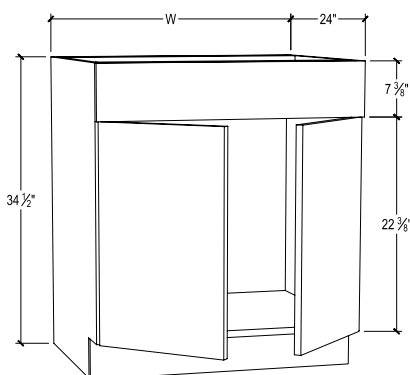
W X H X D

AVAILABLE IN

DB12-3	12x34-1/2 x24
DB15-3	15x34-1/2 x24
DB18-3	18x34-1/2 x24
DB21-3	21x34-1/2 x24
DB24-3	24x34-1/2 x24
DB27-3	27x34-1/2 x24
DB30-3	30x34-1/2 x24
DB33-3	33x34-1/2 x24
DB36-3	36x34-1/2 x24

- Pearl White
- Storm Gray
- Maduro
- Classic White
- Shaker White
- Imperial Blue

2 DOOR FALSE-FRONT SINK BASE



SKU CODE

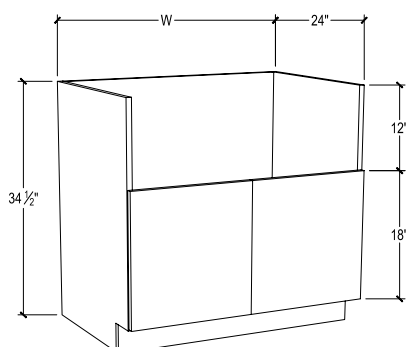
W X H X D

AVAILABLE IN

SB24	24x34-1/2 x24
SB27	27x34-1/2 x24
SB30	30x34-1/2 x24
SB33	33x34-1/2 x24
SB36	36x34-1/2 x24
SB39	39x34-1/2 x24
SB42	42x34-1/2 x24

- No shelf.

2 DOOR FARM SINK BASE CABINET



SKU CODE

W X H X D

AVAILABLE IN

FSB30	30x34-1/2 x24
FSB33	33x34-1/2 x24
FSB36	36x34-1/2 x24

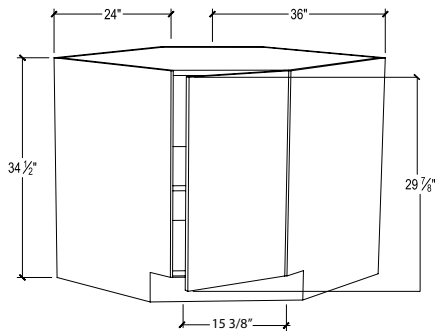
- No shelf.

- Pearl White
- Storm Gray
- Classic White
- Shaker White
- Imperial Blue

Base cabinets may be modified to 21-1/2" in depth for use as vanities. An additional charge of \$31.00 will apply for each cabinet modified.

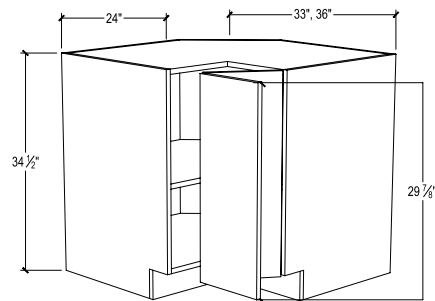
To request this service, add item code: CUT CHARGE TO 21-1/2" after each line item.

DIAGONAL CORNER BASE CABINET	SKU CODE	W X H X D	AVAILABLE IN
------------------------------	----------	-----------	--------------



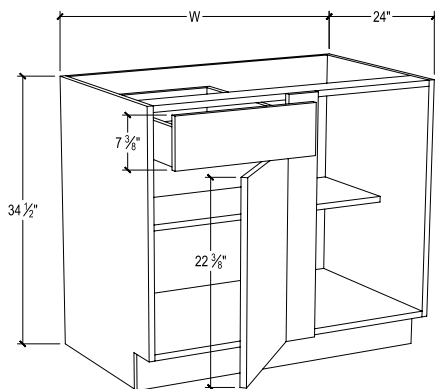
- | | | |
|-------|---------------|---|
| BDC36 | 36x34-1/2 x24 | <ul style="list-style-type: none"> Pearl White Storm Gray Maduro Classic White Shaker White Imperial Blue |
|-------|---------------|---|
- Full-height diagonal door, 1 Adjustable shelf.
 - Lazy Susan insert sold separately.
 - May also be used as a sink base cabinet with the shelf removed.

LAZY SUSAN CORNER BASE CABINET	SKU CODE	W X H X D	AVAILABLE IN
--------------------------------	----------	-----------	--------------



- | | | |
|-------|---------------|---|
| BLS33 | 33x34-1/2 x24 | <ul style="list-style-type: none"> Pearl White Storm Gray Maduro Classic White Shaker White Imperial Blue |
| BLS36 | 36x34-1/2 x24 | |
- Full-height folding door, includes 1 metal Lazy Susan insert.

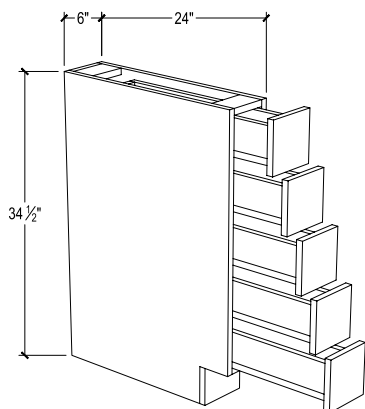
1 DRAWER 1 DOOR BLIND BASE CABINET	SKU CODE	W X H X D	AVAILABLE IN
------------------------------------	----------	-----------	--------------



- | BBC39 | 39x34-1/2 x24 | <ul style="list-style-type: none"> Pearl White Storm Gray Classic White Shaker White Imperial Blue |
|---------|---------------|---|
| BBC42 | 42x34-1/2 x24 | |
| BBC45 | 45x34-1/2 x24 | |
| CABINET | DOOR | |
| BBC39 | B12 | |
| BBC42 | B15 | |
| BBC45 | B18 | |

- 1 Adjustable half shelf.
- Reversible L or R.
- Requires a return filler, not included, see page 31.

SPICE RACK BASE CABINET



SKU CODE

BSDC06

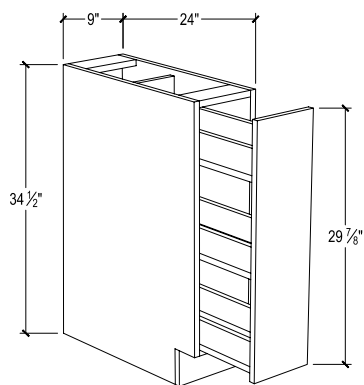
W X H X D

6x34-1/2 x24

AVAILABLE IN

- Pearl White
- Storm Gray
- Maduro
- Classic White
- Shaker White
- Imperial Blue

SPICE PULL OUT BASE CABINET



SKU CODE

BSR09

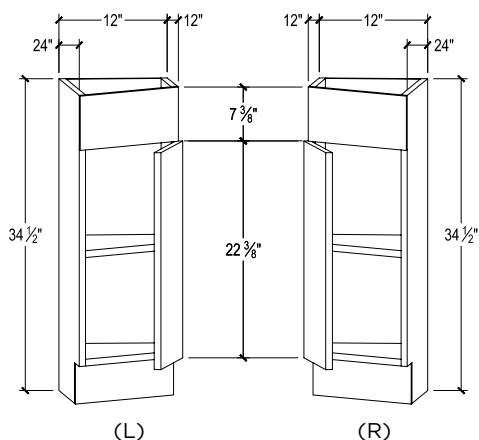
W X H X D

9x34-1/2 x24

AVAILABLE IN

- Pearl White
- Storm Gray
- Maduro
- Classic White
- Shaker White
- Imperial Blue

ANGLED END BASE CABINET



SKU CODE

BEA12L

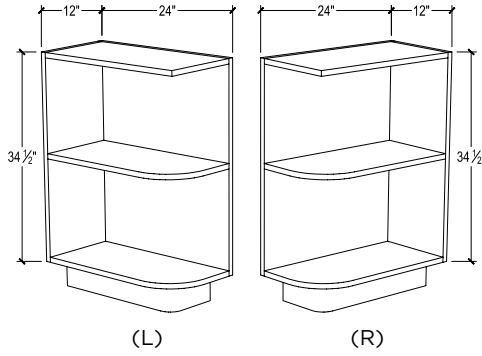
W X H X D

12x34-1/2 x24

AVAILABLE IN

- Pearl White
- Storm Gray
- Maduro
- Classic White
- Shaker White
- Imperial Blue

OPEN-END BASE SHELF



SKU CODE

W X H X D

AVAILABLE IN

BOES12L

12x34-1/2 x24

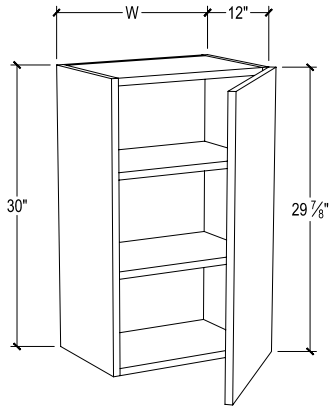
BOES12R

12x34-1/2 x24

■ Fixed shelf.

- Pearl White
- Storm Gray
- Maduro
- Classic White
- Shaker White
- Imperial Blue

30" HIGH 1 DOOR WALL CABINET



SKU CODE

W X H X D

AVAILABLE IN

W0930

9x30x12

- Pearl White

W1230

12x30x12

- Storm Gray

W1530

15x30x12

- Maduro

W1830

18x30x12

- Classic White

W2130

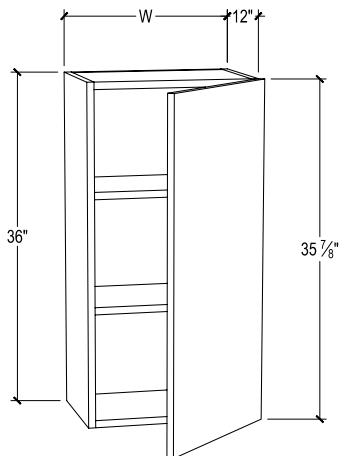
21x30x12

- Shaker White

- Imperial Blue

- 1 Door, 2 Adjustable shelves.

36" HIGH 1 DOOR WALL CABINET



SKU CODE

W X H X D

AVAILABLE IN

W0936

9x36x12

- Pearl White

W1236

12x36x12

- Storm Gray

W1536

15x36x12

- Maduro

W1836

18x36x12

- Classic White

W2136

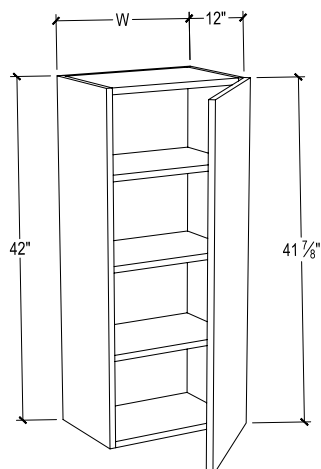
21x36x12

- Shaker White

- Imperial Blue

- 1 Door, 2 Adjustable shelves.

42" HIGH 1 DOOR WALL CABINET



SKU CODE

W X H X D

AVAILABLE IN

W0942

9x42x12

- Pearl White

W1242

12x42x12

- Storm Gray

W1542

15x42x12

- Maduro

W1842

18x42x12

- Classic White

W2142

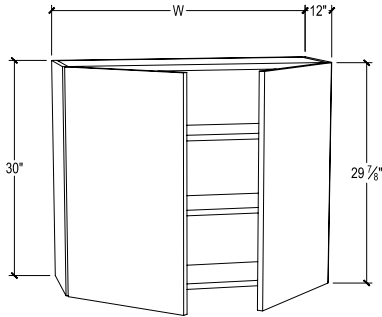
21x42x12

- Shaker White

- Imperial Blue

- 1 Door, 3 Adjustable shelves.

30" HIGH 2 DOOR WALL CABINET



SKU CODE

W X H X D

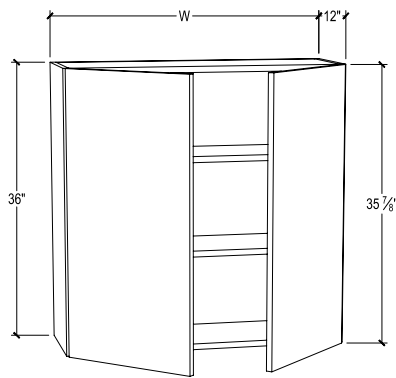
AVAILABLE IN

W2430	24x30x12
W2730	27x30x12
W3030	30x30x12
W3330	33x30x12
W3630	36x30x12

- Pearl White
- Storm Gray
- Maduro
- Classic White
- Shaker White
- Imperial Blue

- 2 Door, 2 Adjustable shelves.

36" HIGH 2 DOOR WALL CABINET



SKU CODE

W X H X D

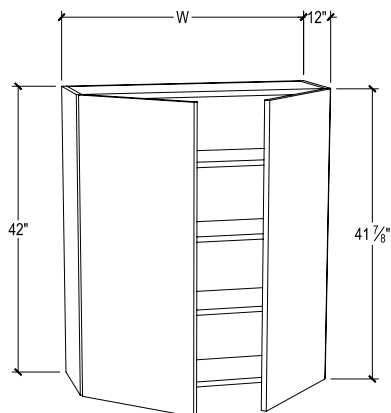
AVAILABLE IN

W2436	24x36x12
W2736	27x36x12
W3036	30x36x12
W3336	33x36x12
W3636	36x36x12

- Pearl White
- Storm Gray
- Maduro
- Classic White
- Shaker White
- Imperial Blues

- 2 Door, 2 Adjustable shelves.

42" HIGH 2 DOOR WALL CABINET



SKU CODE

W X H X D

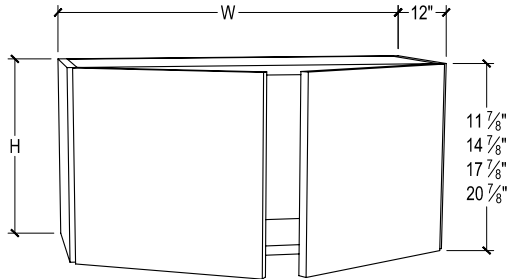
AVAILABLE IN

W2442	24x42x12
W2742	27x42x12
W3042	30x42x12
W3342	33x42x12
W3642	36x42x12

- Pearl White
- Storm Gray
- Maduro
- Classic White
- Shaker White
- Imperial Blue

- 2 Door, 3 Adjustable shelves.

12" DEEP 2 DOOR WALL CABINETS



SKU CODE

W X H X D

AVAILABLE IN

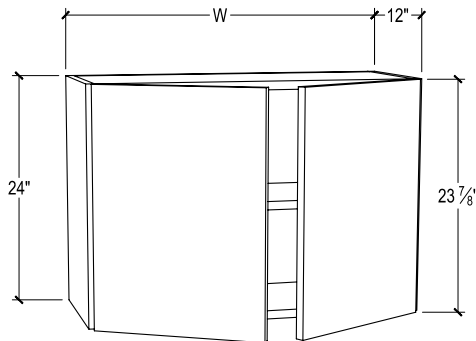
W2412*	24x12x12
W2415*	24x15x12
W2418*	24x18x12
W3012	30x12x12
W3015	30x15x12
W3018	30x18x12
W3021	30x21x12
W3612	36x12x12
W3615	36x15x12
W3618	36x18x12
W3621	36x21x12

- Pearl White
- Storm Gray
- Classic White
- Shaker White
- Imperial Blue

- 2 Door, no shelf.

*Not available in Maduro.

24" HIGH 2 DOOR WALL CABINET



SKU CODE

W X H X D

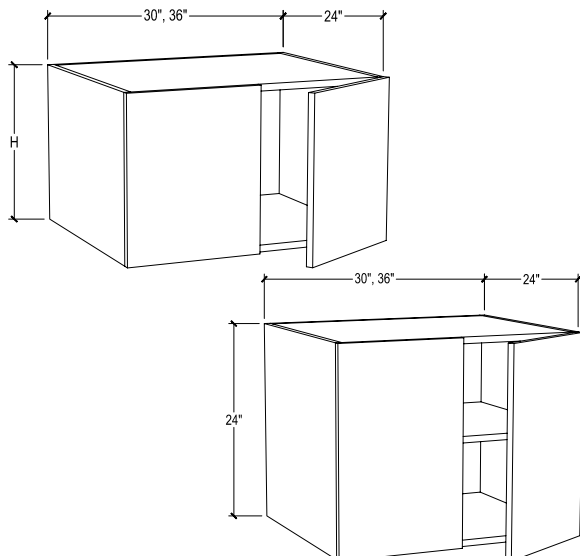
AVAILABLE IN

W2424	24x24x12
W3024	30x24x12
W3624	36x24x12

- Pearl White
- Storm Gray
- Classic White
- Shaker White
- Imperial Blue

- 2 Door, 1 Adjustable shelf.

24" DEEP WALL CABINETS



SKU CODE

W X H X D

AVAILABLE IN

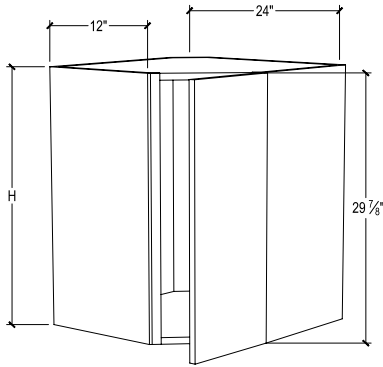
W3012-24*	30x12x24
W3018-24	30x18x24
W3024-24	30x24x24
W3612-24	36x12x24
W3615-24	36x15x24
W3618-24	36x18x24
W3621-24	36x21x24
W3624-24	36x24x24

- Pearl White
- Storm Gray
- Classic White
- Shaker White
- Imperial Blue

- 2 Door, no shelf.
- W3024-24 & W3624 - 2 Door, 1 Shelf.

*Available only in Shaker White.

DIAGONAL CORNER WALL CABINET



SKU CODE

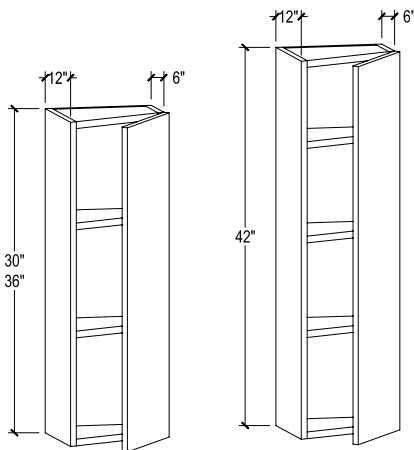
W X H X D

AVAILABLE IN

WDC2412	24x12x2	■ Pearl White
WDC2418	24x18x12	■ Storm Gray
WDC2424	24x24x12	■ Maduro
WDC2430	24x30x12	■ Classic White
WDC2436	24x36x12	■ Shaker White
WDC2442	24x42x12	■ Imperial Blue

- WDC2424 - 1 Adjustable shelf.
- WDC2430 & WDC2436 - 2 Adjustable shelves.
- WDC2442 - 3 Adjustable shelves.

WALL END CABINET



SKU CODE

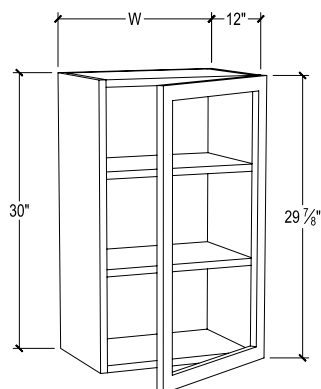
W X H X D

AVAILABLE IN

WEA1230	12x30x12	■ Pearl White
WEA1236	12x36x12	■ Storm Gray
WEA1242	12x42x12	■ Maduro

- WEA1230 & WEA1236 - 2 Adjustable shelves.
- WEA1242 - 3 Adjustable shelves.
- Classic White
- Shaker White
- Imperial Blue

30" HIGH GLASS DOOR WALL CABINET



SKU CODE

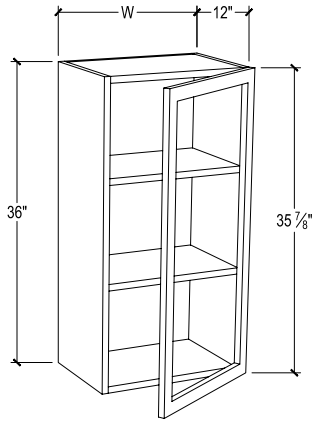
W X H X D

AVAILABLE IN

WMD0930	09x30x12	■ Pearl White
WMD1230	12x30x12	■ Storm Gray
WMD1530	15x30x12	■ Maduro
WMD1830	18x30x12	■ Classic White
WMD2130	21x30x12	■ Shaker White
		■ Imperial Blue

- 1 Door, 2 Adjustable shelves.
- Designed to securely accommodate glass up to 1/4" thick (with a recommended glass depth of 1/8").
- Glass and clips not Included.

36" HIGH GLASS DOOR WALL CABINET



SKU CODE

W X H X D

AVAILABLE IN

WMD0936

09x36x12

- Pearl White

WMD1236

12x36x12

- Storm Gray

WMD1536

15x36x12

- Maduro

WMD1836

18x36x12

- Classic White

WMD2136

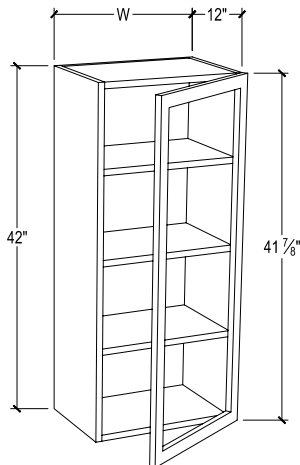
21x36x12

- Shaker White

- Imperial Blue

- 1 Door, 2 Adjustable shelves.
- Designed to securely accommodate glass up to 1/4" thick (with a recommended glass depth of 1/8").
- Glass and clips not included.

42" HIGH GLASS DOOR WALL CABINET



SKU CODE

W X H X D

AVAILABLE IN

WMD0942

09x42x12

- Pearl White

WMD1242

12x42x12

- Storm Gray

WMD1542

15x42x12

- Maduro

WMD1842

18x42x12

- Classic White

WMD2142

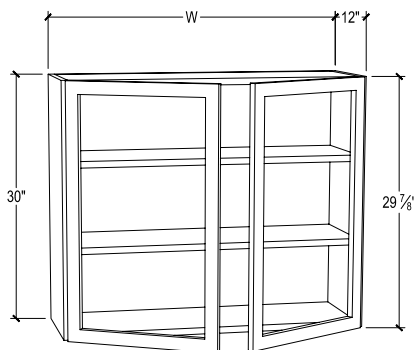
21x42x12

- Shaker White

- Imperial Blue

- 1 Door, 3 Adjustable shelves.
- Designed to securely accommodate glass up to 1/4" thick (with a recommended glass depth of 1/8").
- Glass and clips not included.

30" HIGH 2 DOOR GLASS WALL CABINET



SKU CODE

W X H X D

AVAILABLE IN

WMD2430

24x30x12

- Pearl White

WMD2730

27x30x12

- Storm Gray

WMD3030

30x30x12

- Maduro

WMD3330

30x30x12

- Classic White

WMD3630

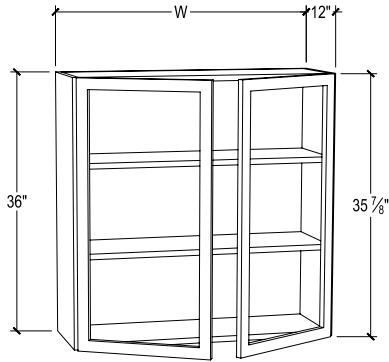
36x30x12

- Shaker White

- Imperial Blue

- 2 Adjustable shelves.
- Designed to securely accommodate glass up to 1/4" thick (with a recommended glass depth of 1/8").
- Glass and clips not included.

36" HIGH 2 DOOR GLASS WALL CABINET



SKU CODE

W X H X D

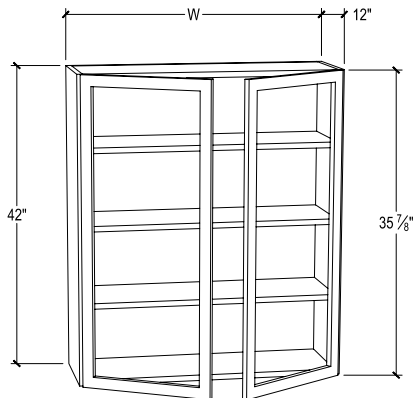
AVAILABLE IN

WMD2436	24x36x12
WMD2736	27x36x12
WMD3036	30x36x12
WMD3336	33x36x12
WMD3636	36x36x12

- Pearl White
- Storm Gray
- Maduro
- Classic White
- Shaker White
- Imperial Blue

- 2 Door, 2 Adjustable shelves.
- Designed to securely accommodate glass up to 1/4" thick (with a recommended glass depth of 1/8").
- Glass and clips not included.

42" HIGH 2 DOOR GLASS WALL CABINET



SKU CODE

W X H X D

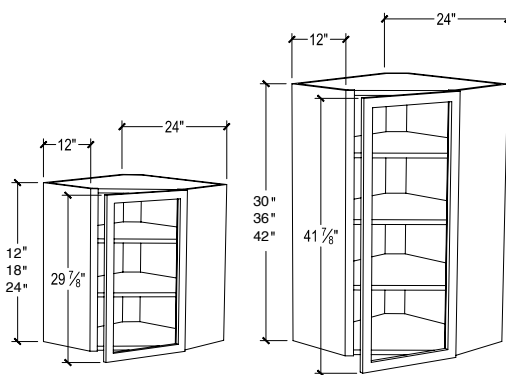
AVAILABLE IN

WMD2442	24x42x12
WMD2742	27x42x12
WMD3042	30x42x12
WMD3342	33x42x12
WMD3642	36x42x12

- Pearl White
- Storm Gray
- Maduro
- Classic White
- Shaker White
- Imperial Blue

- 3 Adjustable shelves.
- Designed to securely accommodate glass up to 1/4" thick (with a recommended glass depth of 1/8").
- Glass and clips not included.

DIAGONAL GLASS WALL CABINET



SKU CODE

W X H X D

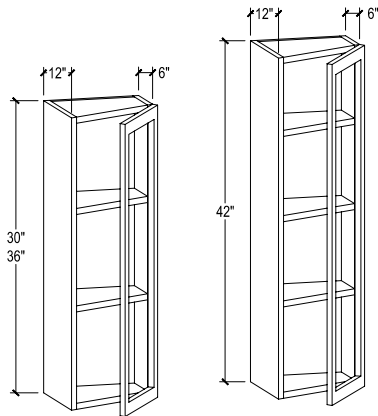
AVAILABLE IN

WDCMD2412	24x12x12
WDCMD2418	24x18x12
WDCMD2424	24x24x12
WDCMD2430	24x30x12
WDCMD2436	24x36x12
WDCMD2442	24x42x12

- Pearl White
- Storm Gray
- Maduro
- Classic White
- Shaker White
- Imperial Blue

- WDCMD2430 & WDCMD2436 - 1 Door 2 Adjustable shelves.
- WDCMD2442 - 1 Door, 3 Adjustable shelves.
- Designed to securely accommodate glass up to 1/4" thick (with a recommended glass depth of 1/8").
- Glass and clips not included.

GLASS WALL END CABINET



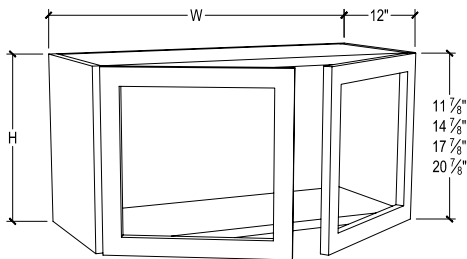
SKU CODE

W X H X D

AVAILABLE IN

- | | | |
|-----------|----------|-----------------|
| WEAMD1230 | 12X30x24 | ■ Pearl White |
| WEAMD1236 | 12x36x24 | ■ Storm Gray |
| WEAMD1242 | 12x42x24 | ■ Maduro |
| | | ■ Classic White |
| | | ■ Shaker White |
| | | ■ Imperial Blue |
- WEA1230 & WEA1236 - 1 Door, 2 Adjustable shelves.
 - WEA1242 - 1 Door, 3 Adjustable shelves.
 - Designed to securely accommodate glass up to 1/4" thick (with a recommended glass depth of 1/8").
 - Glass and clips not included.

12" DEEP GLASS WALL CABINETS



SKU CODE

W X H X D

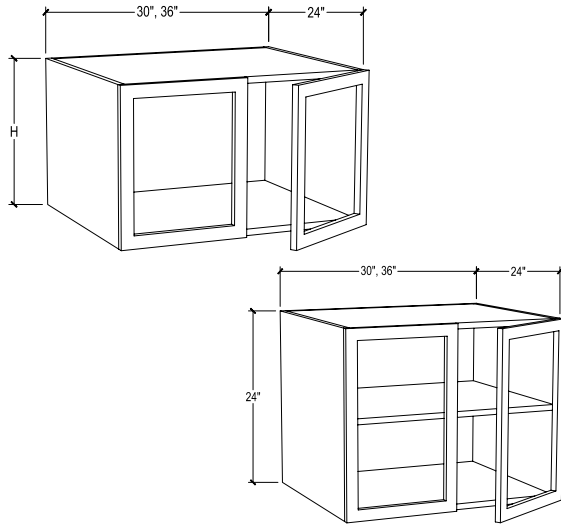
AVAILABLE IN

- | | | |
|----------|----------|-----------------|
| WMD2412* | 24x12x12 | ■ Pearl White |
| WMD2415* | 24x15x12 | ■ Storm Gray |
| WMD2424 | 24x24x12 | ■ Maduro |
| WMD3012 | 30x12x12 | ■ Classic White |
| WMD3012 | 30x12x12 | ■ Shaker White |
| WMD3012 | 30x12x12 | ■ Imperial Blue |
| WMD3015 | 30x15x12 | |
| WMD3018 | 30x18x12 | |
| WMD3021 | 30x21x12 | |
| WMD3024 | 30x24x12 | |
| WMD3612 | 36x12x12 | |
| WMD3615 | 36x15x12 | |
| WMD3618 | 36x18x12 | |
| WMD3621 | 36x21x12 | |
| WMD3624 | 36x24x12 | |

- 2 Door, no shelf.
- Designed to securely accommodate glass up to 1/4" thick (with a recommended glass depth of 1/8").
- Glass and clips not included.

*Not available in Maduro.

24" DEEP GLASS WALL CABINETS



SKU CODE

W X H X D

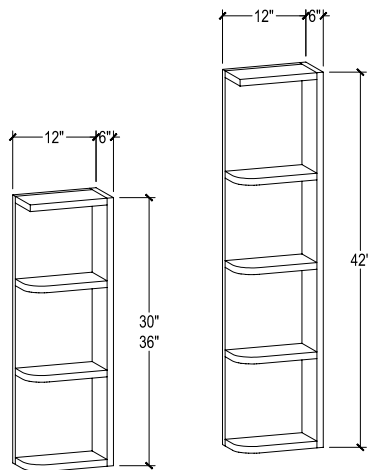
AVAILABLE IN

WMD3012-24	30x12x24
WMD3018-24	30x18x24
WMD3024-24	30x24x24
WMD3612-24	36x12x24
WMD3615-24	36x15x24
WMD3618-24	36x18x24
WMD3621-24	36x21x24
WMD3624-24	36x24x24

- Pearl White
- Storm Gray
- Maduro
- Classic White
- Shaker White
- Imperial Blue

- 2 Door, No shelves.
- WMD3024 & WMD3624 - 2 Doors, 1 Shelf.
- Designed to securely accommodate glass up to 1/4" thick (with a recommended glass depth of 1/8").
- Glass and clips not included.

OPEN END WALL SHELF



SKU CODE

W X H X D

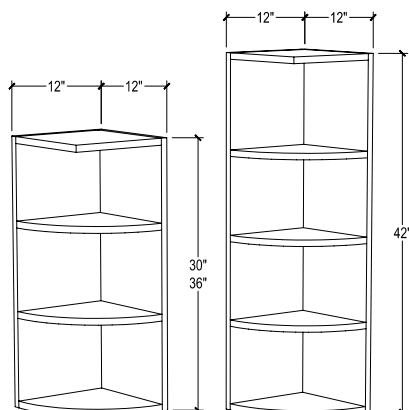
AVAILABLE IN

WOES0630	6x30x12
WOES0636	6x36x12
WOES0642	6x42x12

- Pearl White
- Storm Gray
- Maduro
- Classic White
- Shaker White
- Imperial Blue

- WOES0630 & WOES36 - 2 Fixed shelves.
- WOES0642 - 3 Fixed shelves.
- Must specify right (R) or (L).

OPEN-END WALL SHELF



SKU CODE

W X H X D

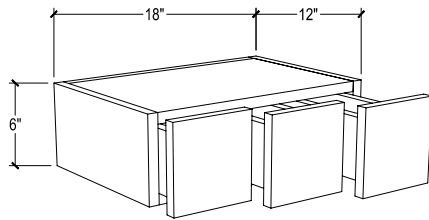
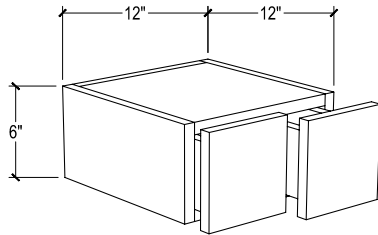
AVAILABLE IN

WOES1230	12x30x12
WOES1236	12x36x12
WOES1242	12x42x12

- Pearl White
- Storm Gray
- Maduro
- Classic White
- Shaker White
- Imperial Blue

- WOES1230 & WOES1236 - 3 Fixed shelves.
- WOES1242 - 4 Fixed shelves.

SMALL DRAWER WALL CABINET



SKU CODE

W X H X D

AVAILABLE IN

WSD1206-2

12x6x12

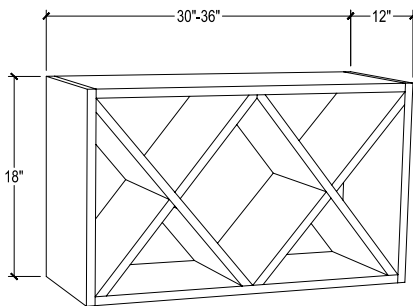
WSD1806-3

18x6x12

- WSD1206-2 - Includes 2 drawer.
- WSD1806-3 - Includes 3 drawer.
- Fitted drawers do not require or include glides.

- Pearl White
- Storm Gray
- Maduro
- Classic White
- Shaker White
- Imperial Blue

WINE RACK CABINET



SKU CODE

W X H X D

AVAILABLE IN

WSC3018

30x18x12

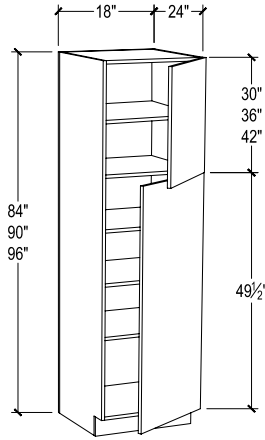
WSC3618

36x18x12

- Holds 7 bottles.
- Finished interior.

- Pearl White
- Storm Gray
- Maduro
- Classic White
- Shaker White
- Imperial Blue

SINGLE DOOR PANTRY CABINET



SKU CODE

W X H X D

AVAILABLE IN

PC1884

18x84x24

PC1890

18x90x24

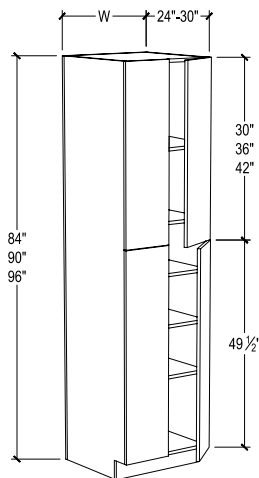
PC1896

18x96x24

- 84" - 6 Shelves (2 fixed, 4 adjustable).
- 90" & 96" - 7 Shelves (2 fixed, 5 adjustable).
- 21" Deep shelves.
- Roll-out drawers available on page 30

- Pearl White
- Storm Gray
- Maduro
- Classic White
- Shaker White
- Imperial Blue

DOUBLE DOOR PANTRY CABINET



SKU CODE

W X H X D

AVAILABLE IN

PC2484

24x84x24

PC2490

24x90x24

PC2496

24x96x24

PC3084

30x84x24

PC3090

30x90x24

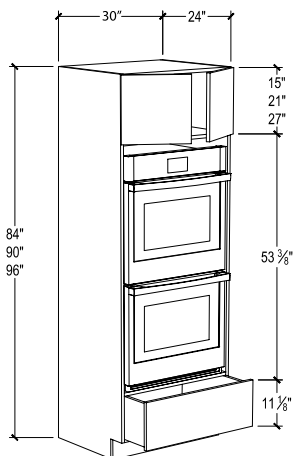
PC3096

30x96x24

- 84" - 6 Shelves (2 fixed, 4 adjustable).
- 90" & 96" - 7 Shelves (2 fixed, 5 adjustable).
- 23" Deep shelves.
- Roll-out drawers available on page 30

- Pearl White
- Storm Gray
- Maduro
- Classic White
- Shaker White
- Imperial Blue

DOUBLE DOOR OVEN CABINET



SKU CODE

W X H X D

AVAILABLE IN

DOC3084

30x84x24

DOC3090

30x90x24

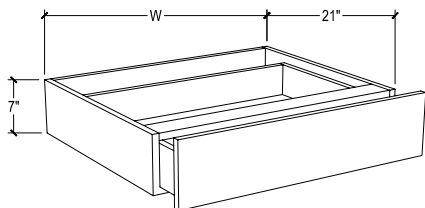
DOC3096

30x96x24

- 2 Upper doors, 1 adjustable shelf (DOC3096 - 2 Upper shelves). 1 Lower drawer.
- Can be used for both single and double oven, ask Buy Wholesale cabinets for details.
- Oven opening is 28.5" W x 53.5" H (inside dimensions).
- Trim included for 27" appliance.

- Pearl White
- Storm Gray
- Maduro
- Classic White
- Shaker White
- Imperial Blue

KNEE DRAWER



SKU CODE

W X H X D

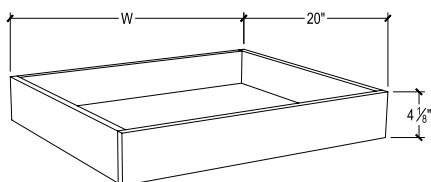
AVAILABLE IN

VKD24	24x07x21
VKD30	30x07x21
VKD36	36x07x21

- No soft-close glides, natural finish.

- Pearl White
- Storm Gray
- Maduro
- Classic White
- Shaker White
- Imperial Blue

ROLL-OUT TRAY



SKU CODE

W X H X D

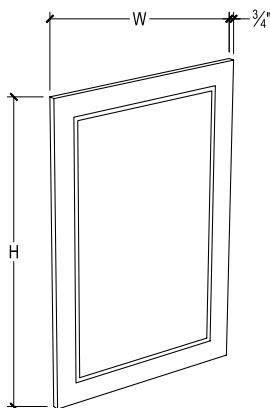
AVAILABLE IN

H-ROT15	9-3/4 x4-1/8 x20
H-ROT18	12-3/4 x4-1/8 x20
H-ROT21	15-3/4 x4-1/8 x20
H-ROT24	18-3/4 x4-1/8 x20
H-ROT27	21-3/4 x4-1/8 x20
H-ROT30	24-3/4 x4-1/8 x20
H-ROT33	27-3/4 x4-1/8 x20
H-ROT36	30-3/4 x4-1/8 x20
H-ROT39	33-3/4 x4-1/8 x20

- Solid wood. Includes installation block.
- Soft-close full extension glides.
- Can be used for pantries, page 29.

- Pearl White
- Storm Gray
- Maduro
- Classic White
- Shaker White
- Imperial Blue

CABINET DOOR PANEL



SKU CODE

W X H X D

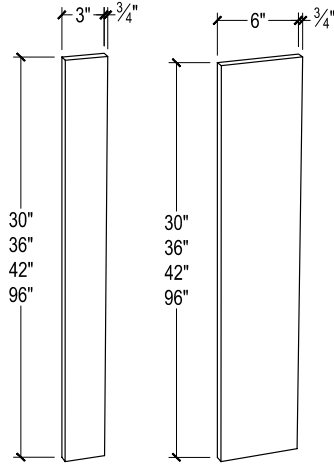
AVAILABLE IN

D1230	12x30x3/4
D1236	12x36x3/4
D1242	12x42x3/4
D1530	15x30x3/4
D1536	15x36x3/4
D1543	15x43x3/4
D2430	24x30x3/4

- Comes predrilled for hinges.

- Pearl White
- Storm Gray
- Maduro
- Classic White
- Shaker White
- Imperial Blue

WALL FILLERS



SKU CODE

W X H X D

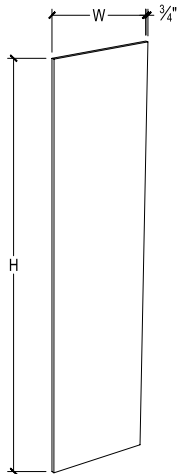
AVAILABLE IN

WF330	3x30x3/4
WF336	3x36x3/4
WF342	3x42x3/4
WF396	3x96x3/4
WF630	6x30x3/4
WF636	6x36x3/4
WF642	6x42x3/4
WF696	6x96x3/4

- Pearl White
- Storm Gray
- Maduro
- Classic White
- Shaker White
- Imperial Blue

- Solid hardwood.

FINISHED PANEL



SKU CODE

W X H X D

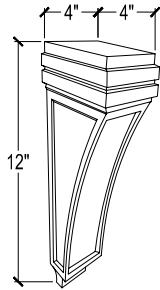
AVAILABLE IN

PNL2496	24x96x3/4
PNL3596	35x96x3/4
DWPNL	24x35x3/4

- Pearl White
- Storm Gray
- Maduro
- Classic White
- Shaker White
- Imperial Blue

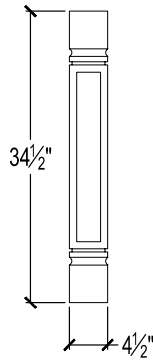
- 96" Veneered and finished plywood. Grain runs the length of panel.
- DWPNL has a toe-kick notch.

CORBEL-SQUARE-MEDIUM	SKU CODE	W X H X D	AVAILABLE IN
----------------------	----------	-----------	--------------



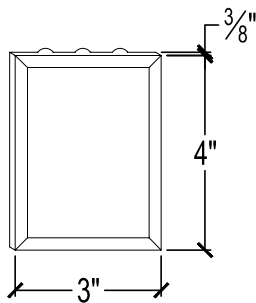
SQCOR3	4x12x4	<ul style="list-style-type: none"> Pearl White Storm Gray Maduro Classic White Shaker White Imperial Blue
--------	--------	---

SQUARE SPOOL (SPINDLE LEG)	SKU CODE	W X H X D	AVAILABLE IN
----------------------------	----------	-----------	--------------



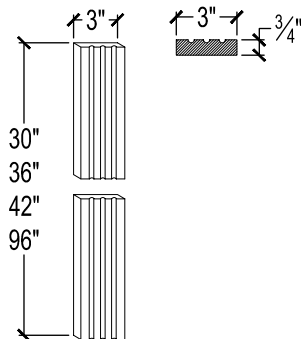
SQSPL3	4-1/2 x34-1/2x4-1/2	<ul style="list-style-type: none"> Pearl White Storm Gray Maduro Classic White Shaker White Imperial Blue
--------	---------------------	---

PLINTH BLOCK APPLIQUE	SKU CODE	W X H X D	AVAILABLE IN
-----------------------	----------	-----------	--------------



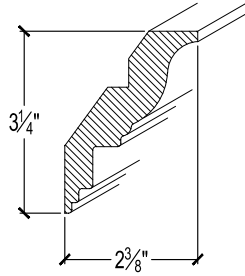
PBAFFB	3x4x3/8	<ul style="list-style-type: none"> Pearl White Storm Gray Maduro Classic White Shaker White Imperial Blue
<ul style="list-style-type: none"> Applique has (3) raised ribs on back, intended to be used with RWFC Fluted Filler. 		

FLUTED FILLER	SKU CODE	W X H X D	AVAILABLE IN
---------------	----------	-----------	--------------



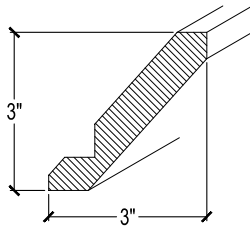
RWFC330	3x30x3/4	<ul style="list-style-type: none"> Pearl White Storm Gray Maduro Classic White Shaker White
RWFC336	3x36x3/4	
RWFC34	3x42x3/4	
RWFC396	3x96x3/4	
<ul style="list-style-type: none"> 2 Plinth block applique. Fluted filler can be sold separately, contact Buy Wholesale Cabinets for details. 		

CROWN MOLDING - CLASSIC	SKU CODE	W X H X D	AVAILABLE IN
-------------------------	----------	-----------	--------------



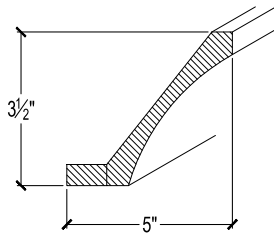
- | | | |
|------|-----------------|---|
| CCM8 | 2-3/8 x3-1/4x96 | <ul style="list-style-type: none"> Maduro Classic White Shaker White |
|------|-----------------|---|
- 8 Feet long with a projection of 2-3/8".

CROWN MOLDING - ANGLE	SKU CODE	W X H X D	AVAILABLE IN
-----------------------	----------	-----------	--------------



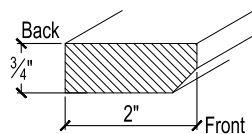
- | | | |
|------|--------|---|
| ACM8 | 3x3x96 | <ul style="list-style-type: none"> Pearl White Storm Gray Classic White Shaker White Imperial Blue |
|------|--------|---|
- 8 Feet long with a projection of 3.

COVE MOLDING	SKU CODE	W X H X D	AVAILABLE IN
--------------	----------	-----------	--------------



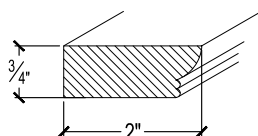
- | | | |
|------|------------|---|
| CVM8 | 5x3-1/2x96 | <ul style="list-style-type: none"> Pearl White Storm Gray Classic White Shaker White Imperial Blue |
|------|------------|---|
- 8 Feet long with a projection of 5".

COUNTER TOP MOLDING	SKU CODE	W X H X D	AVAILABLE IN
---------------------	----------	-----------	--------------

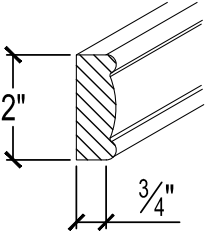
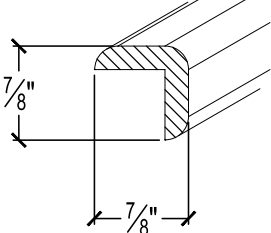
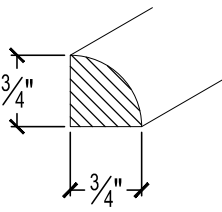
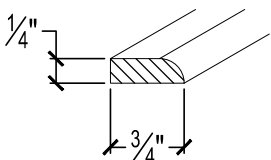
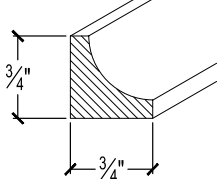


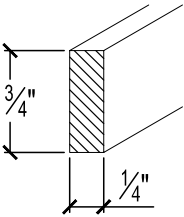
- | | | |
|------|----------|---|
| CTM8 | 2x3/4x96 | <ul style="list-style-type: none"> Pearl White Storm Gray Classic White Shaker White Imperial Blue |
|------|----------|---|
- 8 Feet long.

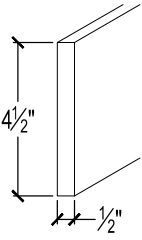
OGEE MOLDING	SKU CODE	W X H X D	AVAILABLE IN
--------------	----------	-----------	--------------



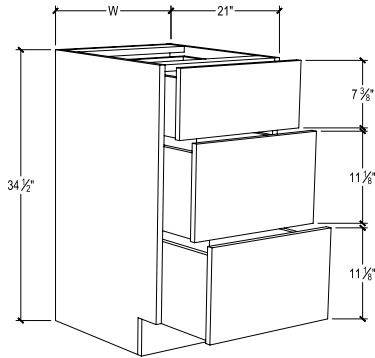
- | | | |
|------|----------|---|
| OGM8 | 2x3/4x96 | <ul style="list-style-type: none"> Classic White Shaker White |
|------|----------|---|
- 8 Feet long.

<p>LIGHT RAIL MOLDING</p>	<p>SKU CODE</p>	<p>W X H X D</p>	<p>AVAILABLE IN</p>
	<p>IV18</p>	<p>3/4x2x96</p>	<ul style="list-style-type: none"> ■ Maduro ■ Classic White ■ Shaker White
<p>■ 8 Feet long.</p>			
<p>OUTSIDE CORNER MOLDING</p>	<p>SKU CODE</p>	<p>W X H X D</p>	<p>AVAILABLE IN</p>
	<p>OCM8</p>	<p>7/8x7/8x96</p>	<ul style="list-style-type: none"> ■ Pearl White ■ Storm Gray ■ Maduro ■ Classic White ■ Shaker White ■ Imperial Blue
<p>■ 8 Feet long.</p>			
<p>QUARTER ROUND MOLDING</p>	<p>SKU CODE</p>	<p>W X H X D</p>	<p>AVAILABLE IN</p>
	<p>QR8</p>	<p>3/4x3/4x96</p>	<ul style="list-style-type: none"> ■ Pearl White ■ Storm Gray ■ Maduro ■ Classic White ■ Shaker White ■ Imperial Blue
<p>■ 8 Feet long.</p>			
<p>SCRIBE MOLDING</p>	<p>SKU CODE</p>	<p>W X H X D</p>	<p>AVAILABLE IN</p>
	<p>SM8</p>	<p>3/4x3/4x96</p>	<ul style="list-style-type: none"> ■ Pearl White ■ Storm Gray ■ Classic White ■ Shaker White ■ Imperial Blue
<p>■ 8 Feet long.</p>			
<p>INSIDE CORNER TRIM</p>	<p>SKU CODE</p>	<p>W X H X D</p>	<p>AVAILABLE IN</p>
	<p>ICT8</p>	<p>3/4x3/4x96</p>	<ul style="list-style-type: none"> ■ Pearl White ■ Storm Gray ■ Maduro ■ Classic White ■ Shaker White ■ Imperial Blue
<p>■ 8 Feet long.</p>			

SQUARE SCRIBE MOLDING	SKU CODE	W X H X D	AVAILABLE IN
	SQSM8	1/4x3/4x96	<ul style="list-style-type: none"> ■ Pearl White ■ Storm Gray ■ Maduro ■ Classic White ■ Shaker White ■ Imperial Blue
	<ul style="list-style-type: none"> ■ 8 Feet long. 		

TOE KICK (MOLDING)	SKU CODE	W X H X D	AVAILABLE IN
	TK8	1/2x4-1/2 x96	<ul style="list-style-type: none"> ■ Pearl White ■ Storm Gray ■ Maduro ■ Classic White ■ Shaker White ■ Imperial Blue
	<ul style="list-style-type: none"> ■ Made of 1/2" plywood. ■ Finished ends. 		

VANITY 3 DRAWER BASE CABINET



SKU CODE

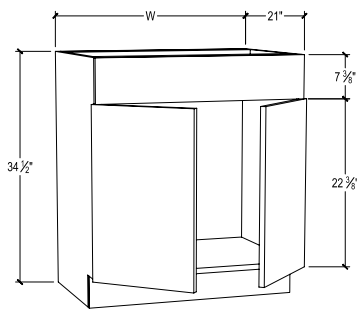
W X H X D

AVAILABLE IN

VDB12-3	12x34-1/2 x21
VDB15-3	15x34-1/2 x21
VDB18-3	18x34-1/2 x21

- Pearl White
- Storm Gray
- Maduro
- Classic White
- Shaker White
- Imperial Blue

VANITY 2 DOOR FALSE-FRONT SINK BASE CABINET



SKU CODE

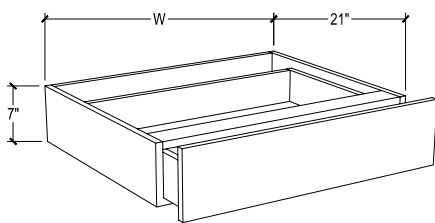
W X H X D

AVAILABLE IN

VSB24	24x34-1/2 x21
VSB30	30x34-1/2 x21

- Pearl White
- Storm Gray
- Maduro
- Classic White
- Shaker White
- Imperial Blue

KNEE DRAWER



SKU CODE

W X H X D

AVAILABLE IN

VKD24	24x07x21
VKD30	30x07x21
VKD36	36x07x21

- No soft-close glides, natural inside finish.

- Pearl White
- Storm Gray
- Maduro
- Classic White
- Shaker White
- Imperial Blue

TOUCH-UP KITS

ITEM CODE/TYPE/AVAILABLE IN

TKITP/KIT

- Pearl White
- Storm Gray
- Classic White
- Shaker White
- Imperial Blue

TKITP-SPRAY/SPRAY

- Pearl White
- Storm Gray
- Classic White
- Shaker White
- Imperial Blue

TKITP-PUTTY/PUTTY

- Storm Gray
- Classic White
- Shaker White
- Imperial Blue

- When ordering, add the color code before the item code: CGTKITP=Imperial Blue Touch-up Kit.
- TKITP: (1) Color match fil-stick, (1) color match touch-up marker, (1) small buffing pad, and (1) small scrapper.
- TKITP-SPRAY: (1) 13-ounce aerosol can.

LUXE

COLLECTION



Sales: 469-898-8077

Customer Service: 469-809-5196

sales@buywholesalecabinets.com

BUYWHOLESALECABINETS.COM

GET SOCIAL WITH US



SPECIAL NOTE: Throughout this brochure, the product names are intended to evoke the color and style of the material only and are not intended to indicate or describe the materials used in cabinetry manufacturing.

©2025 by Buy Wholesale Cabinets. | All Rights Reserved. |